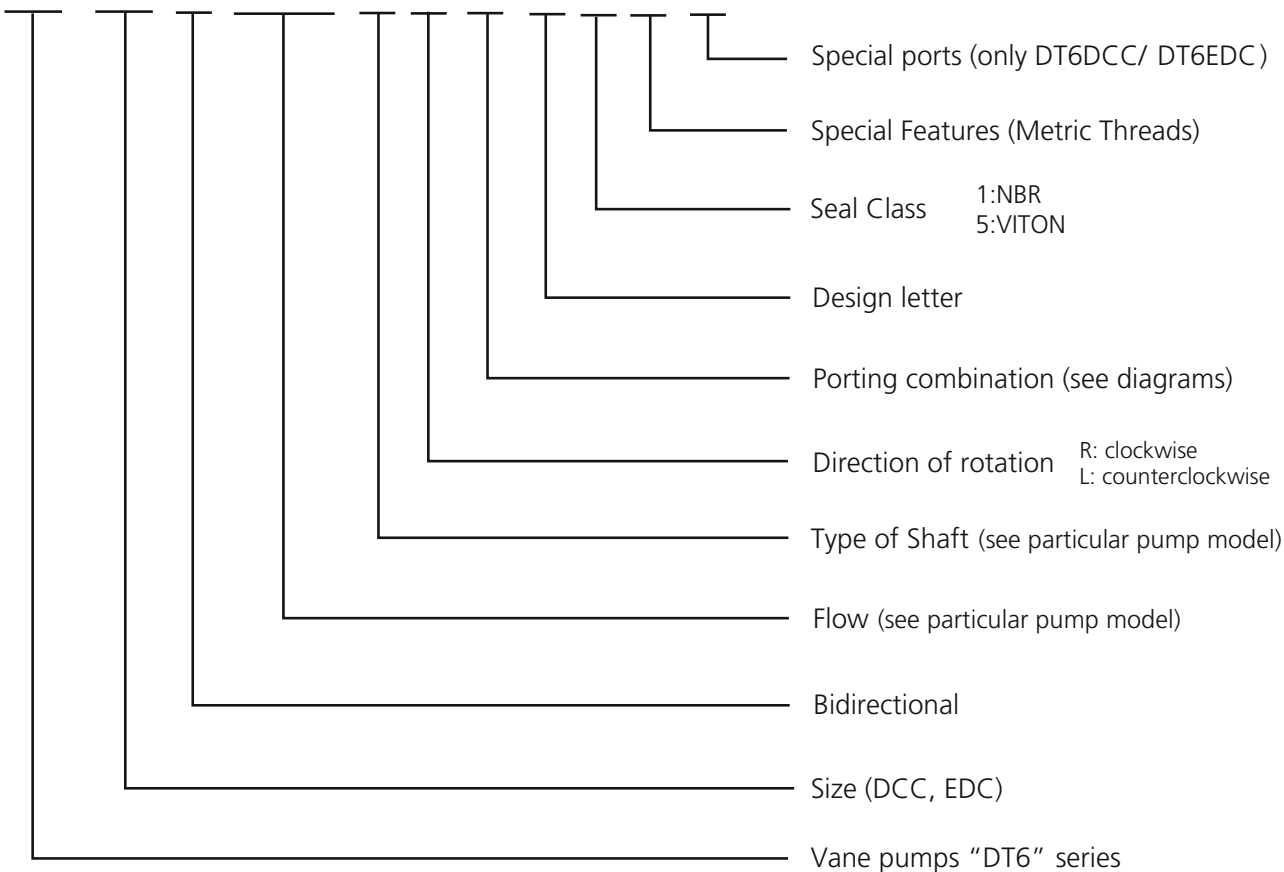


DT6 TRIPLE VANE PUMPS ORDERING CODE

DATA SHEET

DT6 - DCC - B - 62/38/70 - 1 - R - 00 - B - 1 - M - 00



DT6 TRIPLE VANE PUMPS - GENERAL CHARACTERISTICS

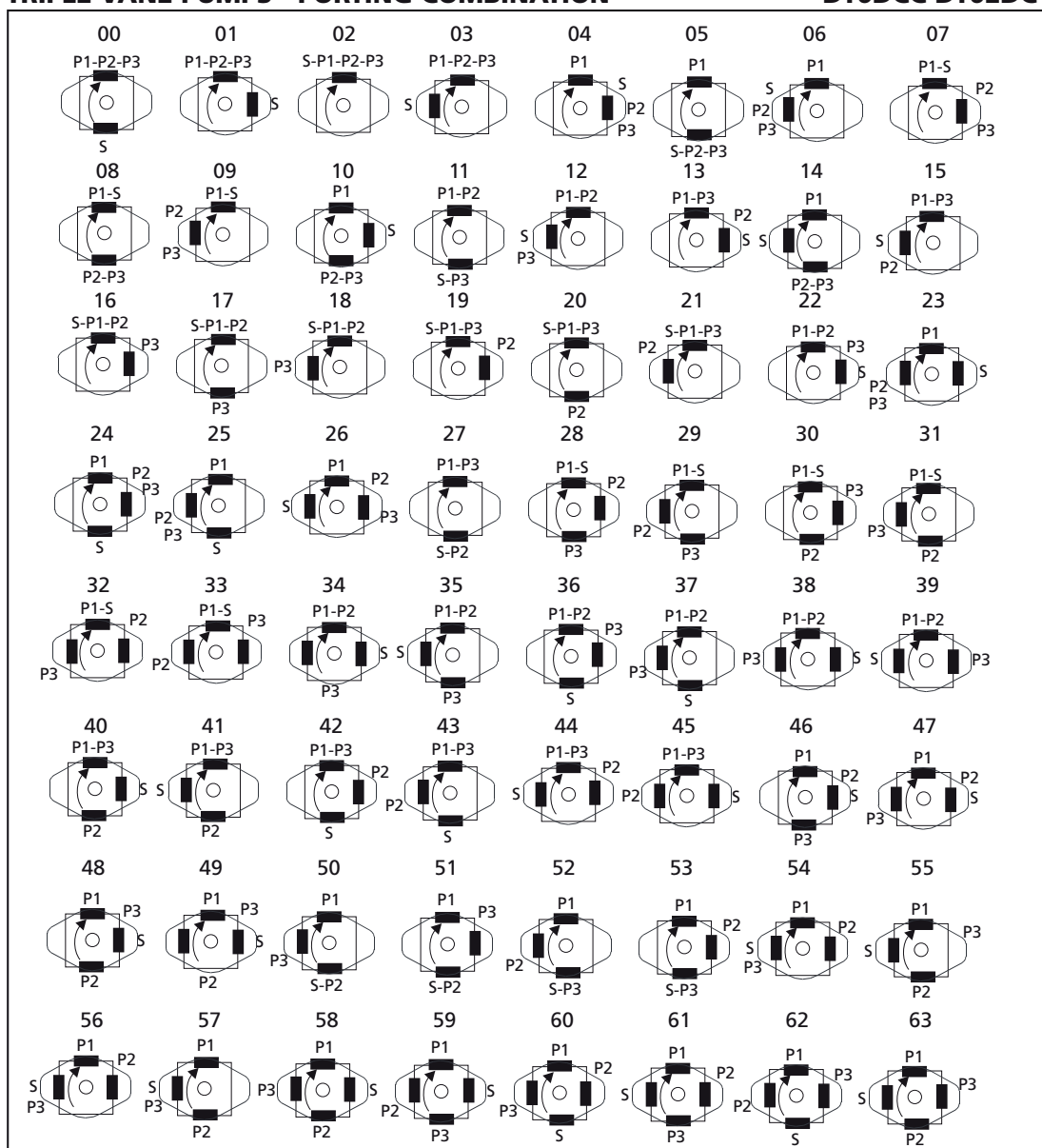
TRIPLE VANE PUMPS

Series	P1			P2			P3			Maximum speed	Front Flange Standard SAE j744c ISO 3019-1	Weight Kgs	SAE 4 holes flange			
	Cartridge model	Theoretical displacem. Cm ³ /rev	Maximum Pressure	Cartridge model	Theoretical displacem. Cm ³ /rev	Maximum Pressure	Cartridge model	Theoretical displacem. Cm ³ /rev	Maximum Pressure				Suction S	Pressure		
														P1	P2	P3
DT6DCC	014 a 061	47.6 a 190.5	240	003 a 031	10.8 a 100	275	003 a 031	10.8 a 100	275	2500	SAE C	61	4"	1 1/4"	1"	1" 6/32"
DT6EDC	042 a 085	132.3 a 269.8	240	014 a 061	47.6 a 190.5	240	003 a 031	10.8 a 100	275	2200	ISO 3019-2	100	4"	1 1/2"	1 1/4"	1" 6/32"

C - 025,028,031 - 2500 rpm maximum, 028,031 - 210 bar maximum intermittent
D - 042,045,050 - 2200 rpm maximum, 050 - 210 bar maximum intermittent - 061 - 120 bar max intermittent
E - 085 - 2000 rpm max - 90 bar maximum intermittent

TRIPLE VANE PUMPS - PORTING COMBINATION

DT6DCC-DT6EDC



S= Suction port | P1= Shaft end pressure port | P2= Middle pressure port | P3= Cover end pressure port

DT6DCC - OPERATING CHARACTERISTICS

DATA SHEET

SHAFT END SECTION

FLOW											SPEED (rpm)		PRESSURE (bar)		WEIGHT	
Lts/min.at 1000 rpm	48	66	80	90	98	111	120	136	146	158	191	Min.	Máx.	Intermit	Contin.	(Kgs.)
Gal/min.at 1200 rpm	14	20	24	28	31	35	38	42	45	50	61	400	2500*	240	210	24

* See page 41 for further information about speed & pressure.

MIDDLE SECTION

FLOW											SPEED (rpm)		PRESSURE (bar)		WEIGHT			
Lts/min.at 1000 rpm	11	17	21	26	34	37	46	58	64	70	79	89	100	Min.	Máx.	Intermit	Contin.	(Kgs.)
Gal/min.at 1200 rpm	3	5	6	8	10	12	14	17	20	22	25	28	31	400	2800*	275	240*	15

* See page 41 for further information about speed & pressure.

COVER END SECTION

FLOW											SPEED (rpm)		PRESSURE (bar)		WEIGHT			
Lts/min.at 1000 rpm	11	17	21	26	34	37	46	58	64	70	79	89	100	Min.	Máx.	Intermit	Contin.	(Kgs.)
Gal/min.at 1200 rpm	3	5	6	8	10	12	14	17	20	22	25	28	31	400	2800*	275	240*	15

* See page 41 for further information about speed & pressure.

DT6DCC - FLOW & INPUT POWER DIAGRAMS

SHAFT END

See **DT6D** Single Pumps for flow and input power diagrams (page 44)

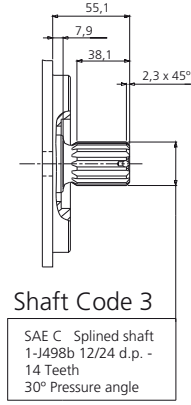
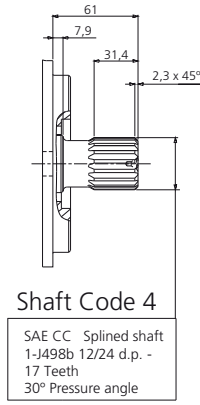
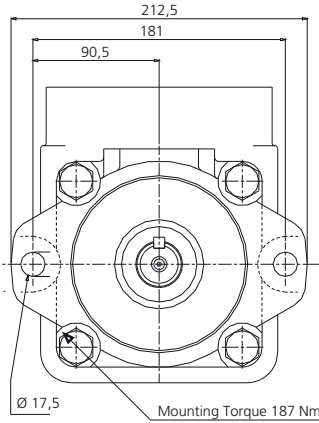
MIDDLE BODY

See **DT6C** Single Pumps for flow and input power diagrams (page 42)

COVER END

See **DT6C** Single Pumps for flow and input power diagrams (page 42)

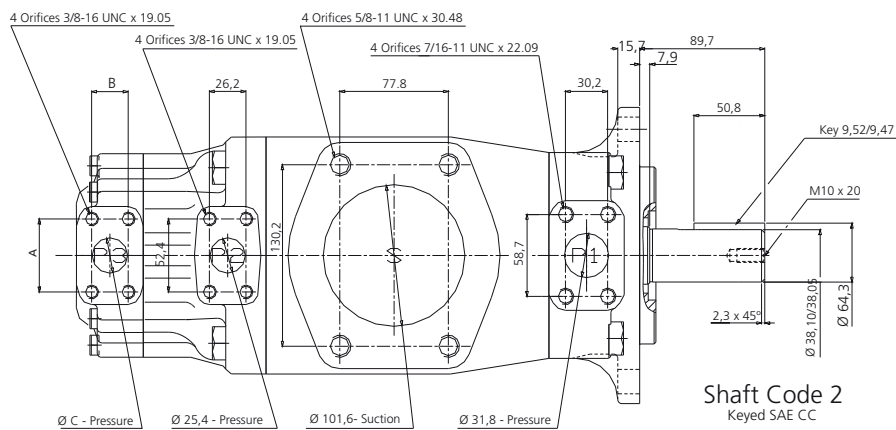
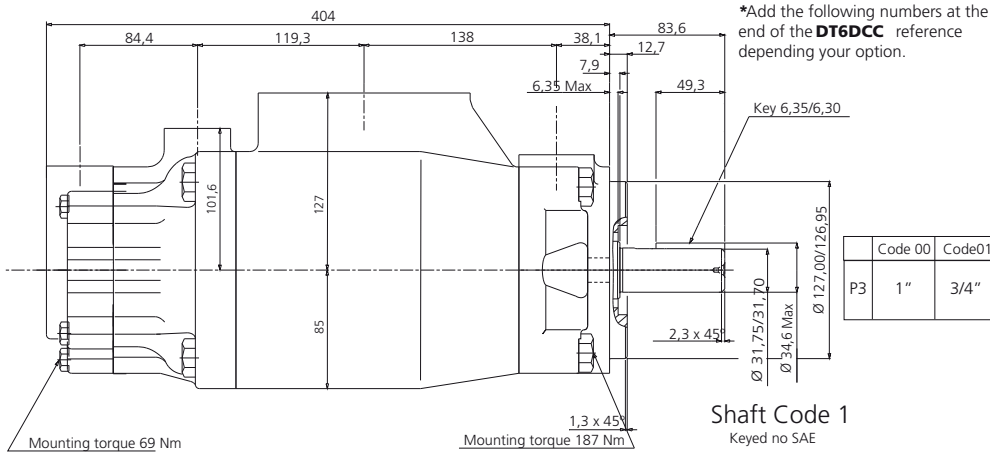
TRIPLE PUMPS DT6DCC - DIMENSIONS



Shaft Torque limits (cc/rev x bar)				
Pump	Shaft Code	V x P max (P1+P2+P3)	Shaft Code	V x P max (P1+P2+P3)
DT6DCC	1	43240	3	61200
DT6DCCM	2	66500	4	66500

Alternate Ports				
Orifice	Code	A	B	C
P3	00*	52,4	26,2	25,4
P3	01*	47,6	22,1	19,0

*Add the following numbers at the end of the **DT6DCC** reference depending your option.



DT6EDC - OPERATING CHARACTERISTICS

DATA SHEET

SHAFT END SECTION

	FLOW								SPEED (rpm)		PRESSURE (bar)		WEIGHT (Kgs.)
	Lts/min.at 1000 rpm	132	142	156	165	197	213	227	270	Mín.	Máx.	Intermit.	
Gal/min.at 1200 rpm	42	45	50	52	62	66	72	85	400	2200*	240	210	44

* See page 41 for further information about speed & pressure.

MIDDLE SECTION

	FLOW											SPEED (rpm)		PRESSURE (bar)		WEIGHT (Kgs.)
	Lts/min.at 1000 rpm	48	66	80	90	98	111	120	136	146	158	191	Mín.	Máx.	Intermit.	
Gal/min.at 1200 rpm	14	20	24	28	31	35	38	42	45	50	61	400	2500*	240	210	24

* See page 41 for further information about speed & pressure.

COVER END SECTION

	FLOW											SPEED (rpm)		PRESSURE (bar)		WEIGHT (Kgs.)		
	Lts/min.at 1000 rpm	11	17	21	26	34	37	46	58	64	70	79	89	100	Mín.		Máx.	Intermit.
Gal/min.at 1200 rpm	3	5	6	8	10	12	14	17	20	22	25	28	31	400	2800*	275	240*	15

* See page 41 for further information about speed & pressure.

DT6EDC - FLOW & INPUT POWER DIAGRAMS

SHAFT END

See **DT6E** Single Pumps for flow and input power diagrams (page 46)

MIDDLE BODY

See **DT6D** Single Pumps for flow and input power diagrams (page 44)

COVER END

See **DT6C** Single Pumps for flow and input power diagrams (page 42)

TRIPLE PUMPS DT6EDC/DT6EDCM - DIMENSIONS

