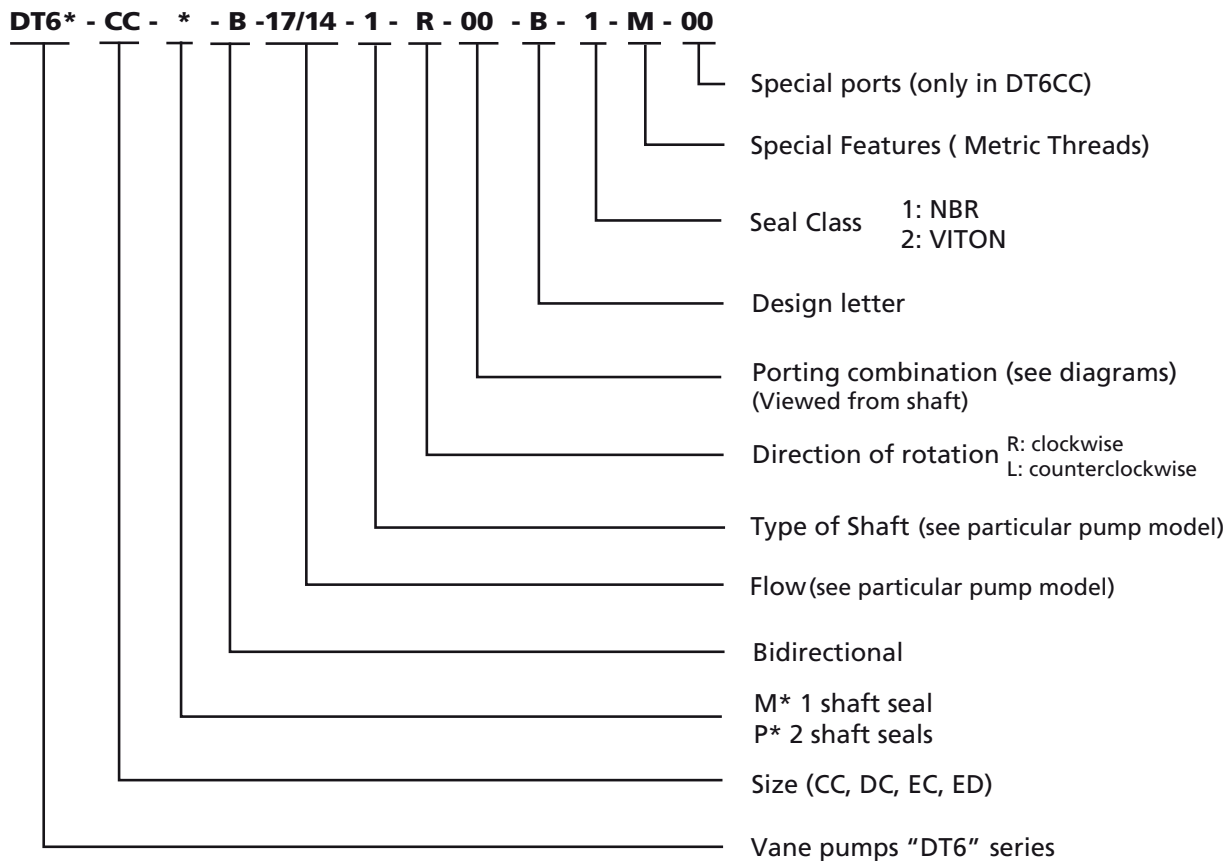


DT6 DOUBLE VANE PUMPS ORDERING CODE

DATA SHEET



GENERAL CHARACTERISTICS

GENERAL CHARACTERISTICS

DOUBLE VANE PUMPS

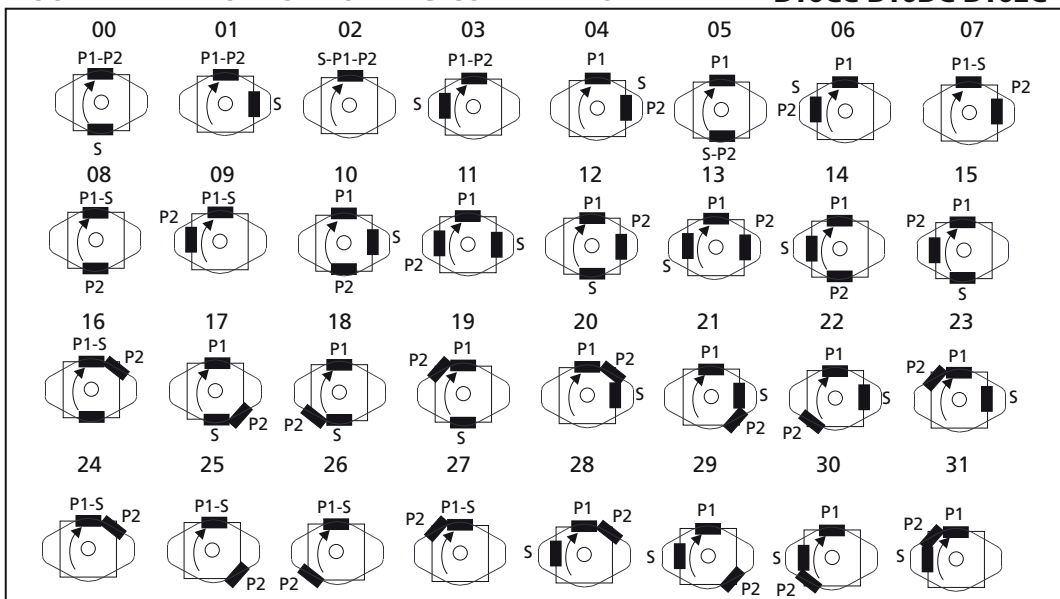
Pump Model	P1			P2			Maxim. speed	Minim. speed	Front flange standard SAE j744c ISO 3019-1	Weight Kgs	SAE 4 Holes flange		
	Cartridge Model	Theoretical displacement Cm ³ /rev	Maxim. Pressure Bar	Cartridge Model	Theoretical displacement Cm ³ /rev	Maxim. Pressure Bar					Suction S	Pressure P1 P2	
DT6CC/M	003 a 031	10.8 a 100	275	003 a 031	10.8 a 100	275	2800	400	SAE B	26	2 1/2" 6 3/8"	1" 1" 6 3/4"	
DT6DC/M	014 a 061	47.6 a 190.5	240	003 a 031	10.8 a 100	275	2800	400	SAE C	37	3" 1 1/4"	1" 1"	
DT6EC/M	042 a 085	132.3 a 269.8	240	003 a 031	10.8 a 100	275	2200	400	SAE C	55	3 1/2" 1 1/2"	1" 1"	
DT6ED/M	042 a 085	132.3 a 268.8	240	014 a 061	47.6 a 190.5	240	2200	400	SAE C	66	4" 1 1/2"	1" 1"	

C - 025,028,031 - 2500 rpm maximum 028,031 - 210 bar max intermitent
 D - 042,045,050 - 2200 rpm maximum 050 - 210 bar maximum intermitent - 061 - 120 bar maximum intermitent
 E - 085 - 2000 rpm maximum - 90 bar maximum intermitent

Above mentioned values of maximum speed and maximum pressure are based on use of antiwear oil only. Please contact **TDZ** for particular values when different fluids are used, (synthetic fluids, water in oil emulsions, water glycol, etcetera)

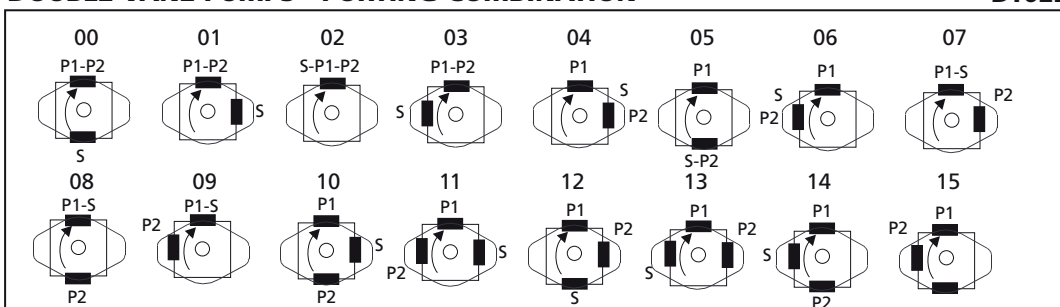
DOUBLE VANE PUMPS - PORTING COMBINATION

DT6CC-DT6DC-DT6EC



DOUBLE VANE PUMPS - PORTING COMBINATION

DT6ED



S= Suction port | P1= Shaft end pressure port | P2= Cover end pressure port

DOUBLE PUMPS DT6CC - OPERATING CHARACTERISTICS

SHAFT END SECTION

FLOW											SPEED (rpm)		PRESSURE (bar)		WEIGHT (Kgs.)			
											Mín.	Máx.	Intermit.	Contin.				
Lts/min.at 1000 rpm	11	17	21	26	34	37	46	58	64	70	79	89	100	400	2800*	275	240*	15
Gal/min.at 1200 rpm	3	5	6	8	10	12	14	17	20	22	25	28	31	400	2800*	275	240*	15

* See page 41 for further information about speed & pressure.

COVER END SECTION

FLOW											SPEED (rpm)		PRESSURE (bar)		WEIGHT (Kgs.)			
											Mín.	Máx.	Intermit.	Contin.				
Lts/min.at 1000 rpm	11	17	21	26	34	37	46	58	64	70	79	89	100	400	2800*	275	240*	15
Gal/min.at 1200 rpm	3	5	6	8	10	12	14	17	20	22	25	28	31	400	2800*	275	240*	15

* See page 41 for further information about speed & pressure.

DT6CC - FLOW & INPUT POWER DIAGRAMS

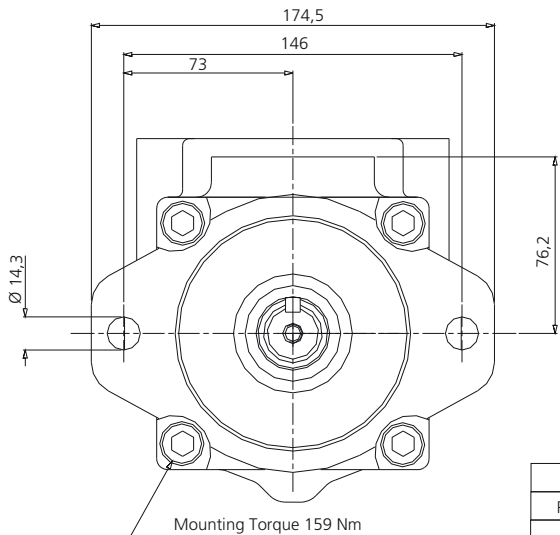
SHAFT END

See **DT6C** Single Pumps for flow and input power diagrams (page 42)

COVER END

See **DT6C** Single Pumps for flow and input power diagrams (page 42)

DOUBLE PUMPS DT6CC - DIMENSIONS



Suction and pressure Port dimension variables.

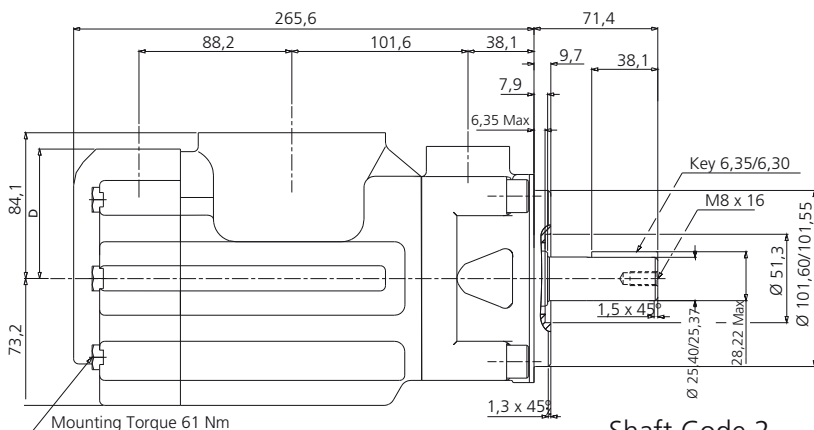
Thread	Port	A	B	C	D	E
S	3"	106,4	61,9	76,2		5/8"-11UNC x 28,4
S	2 1/2"	88,9	50,8	63,5		1/2"-13UNC x 23,9
P1	1"	52,4	26,2	25,4	76,2	
P2	3/4"	47,7	22,4	19,0	76,2	
P2	1"	52,4	26,2	25,4	74,7	

*Add the following numbers at the end of the DT6CC reference depending your option.

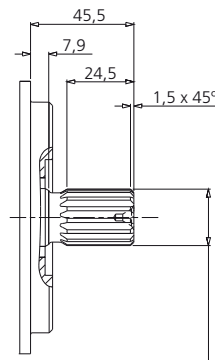
	Code 00*	Code 01*	Code 10*	Code 11*
S	3"	3"	2 1/2"	2 1/2"
P1	1"	1"	1"	1"
P2	1"	3/4"	1"	3/4"

You may use suction "S" of 2 1/2" for 126 cc/rev. maximum
 You may use pressure port "P2" of 3/4" for 46 cc/rev. maximum

Shaft torque limits cc/rev x bar		
Pump	Shaft code	V x P max (P1+P2)
DT6CC	1	14300
	2	21470
	3	32670
	5	20600

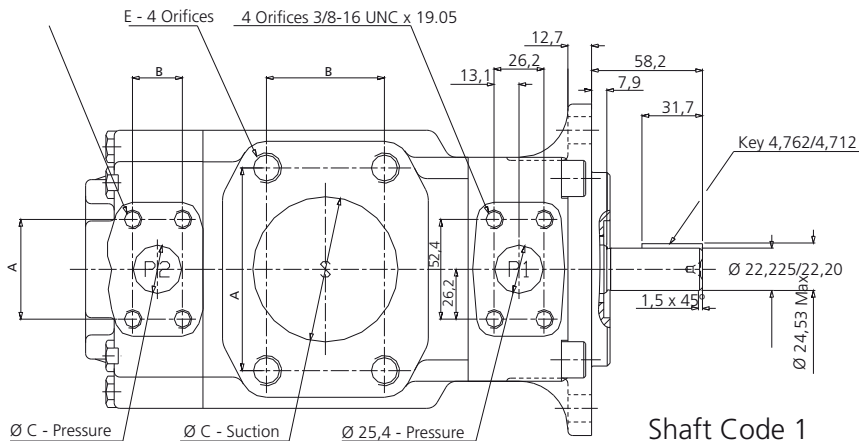


Shaft Code 2
SAE BB

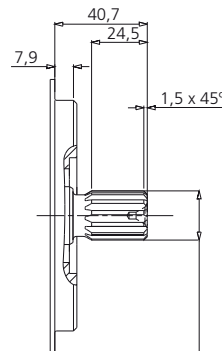


Shaft Code 3

SAE BB Splined shaft
 1-J498b 16/32 d.p. -
 15 Teeth
 30° Pressure angle



Shaft Code 1
Keyed no SAE



Shaft Code 5

SAE B Splined shaft
 1-J498b 16/32 d.p. -
 13 Teeth
 30° Pressure angle

DT6DC - OPERATING CHARACTERISTICS

SHAFT END SECTION

FLOW											SPEED (rpm)		PRESSURE (bar)		WEIGHT (Kgs.)	
											Mín.	Máx.	Intermit.	Contin.		
Lts/min.at 1000 rpm	48	66	80	90	98	111	120	136	146	158	191	400	2500*	240	210	24
Gal/min.at 1200 rpm	14	20	24	28	31	35	38	42	45	50	61	400	2500*	240	210	24

* See page 41 for further information about speed & pressure.

COVER END SECTION

FLOW													SPEED (rpm)		PRESSURE (bar)		WEIGHT (Kgs.)	
													Mín.	Máx.	Intermit.	Contin.		
Lts/min.at 1000 rpm	11	17	21	26	34	37	46	58	64	70	79	89	100	400	2800*	275	240*	15
Gal/min.at 1200 rpm	3	5	6	8	10	12	14	17	20	22	25	28	31	400	2800*	275	240*	15

* See page 41 for further information about speed & pressure.

DT6DC - FLOW & INPUT POWER DIAGRAMS

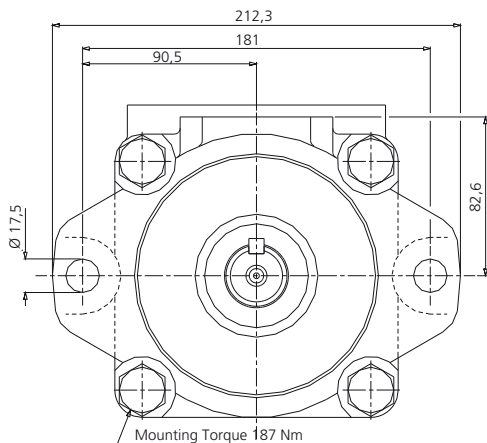
SHAFT END

See **DT6D** Single Pumps for flow and input power diagrams (page 44)

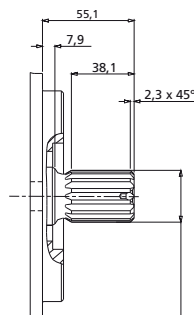
COVER END

See **DT6D** Single Pumps for flow and input power diagrams (page 42)

DOUBLE PUMPS DT6DC - DIMENSIONS

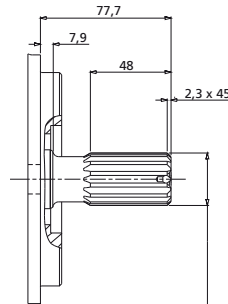


Mounting Torque 187 Nm



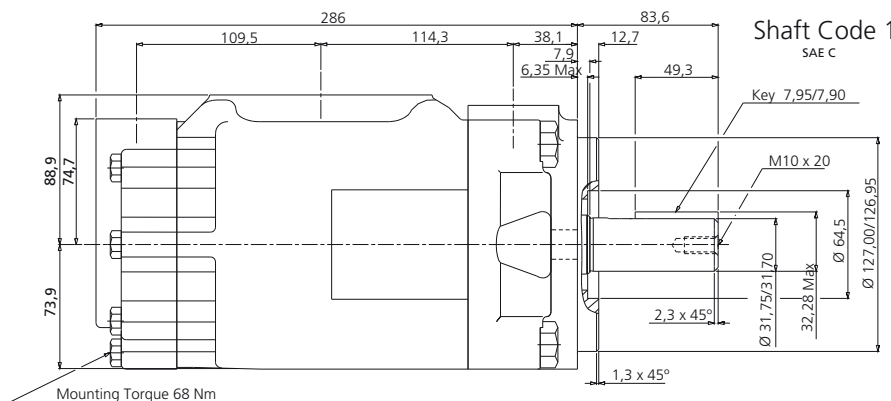
Shaft Code 3

SAE C Splined shaft
1-J498b 12/24 d.p. -
14 Teeth
30° Pressure angle



Shaft Code 4

Splined no SAE shaft
1-J498b 12/24 d.p. -
14 Teeth
30° Pressure angle

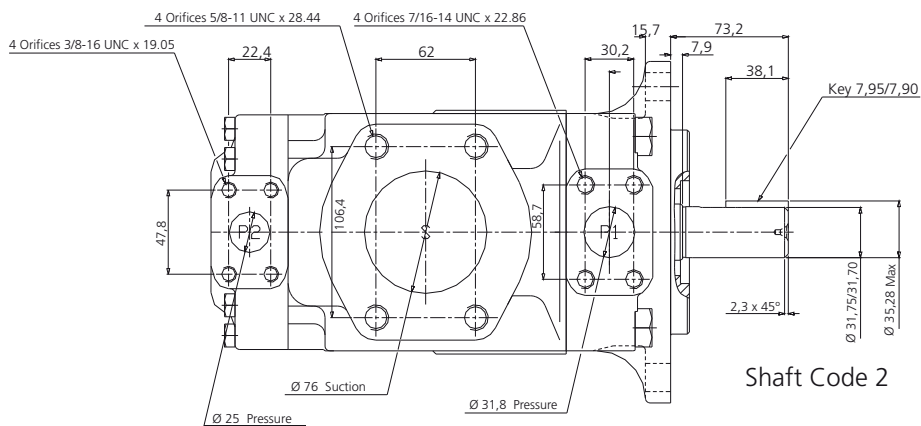


Mounting Torque 68 Nm

Shaft Code 1

SAE C

Shaft Torque Limits (cc/rev x bar)		
Pumps	Shaft code	V x P max (P1+P2)
DT6DC	1	43240
	2	38996



Shaft Code 2

DT6EC - OPERATING CHARACTERISTICS

DATA SHEET

SHAFT END SECTION

FLOW										SPEED (rpm)		PRESSURE (bar)		WEIGHT (Kgs.)	
Lts/min.at 1000 rpm	132	142	156	165	197	213	227	270			Mín.	Máx.	Intermit.	Contin.	
Gal/min.at 1200 rpm	42	45	50	52	62	66	72	85	400	2200*	240	210	44		

* See page 41 for further information about speed & pressure.

COVER END SECTION

FLOW														SPEED (rpm)		PRESSURE (bar)		WEIGHT (Kgs.)		
Lts/min.at 1000 rpm	11	17	21	26	34	37	46	58	64	70	79	89	100			Mín.	Máx.	Intermit.	Contin.	
Gal/min.at 1200 rpm	3	5	6	8	10	12	14	17	20	22	25	28	31	400	2800*	275	240*	15		

* See page 41 for further information about speed & pressure.

DT6EC - FLOW & INPUT POWER DIAGRAMS

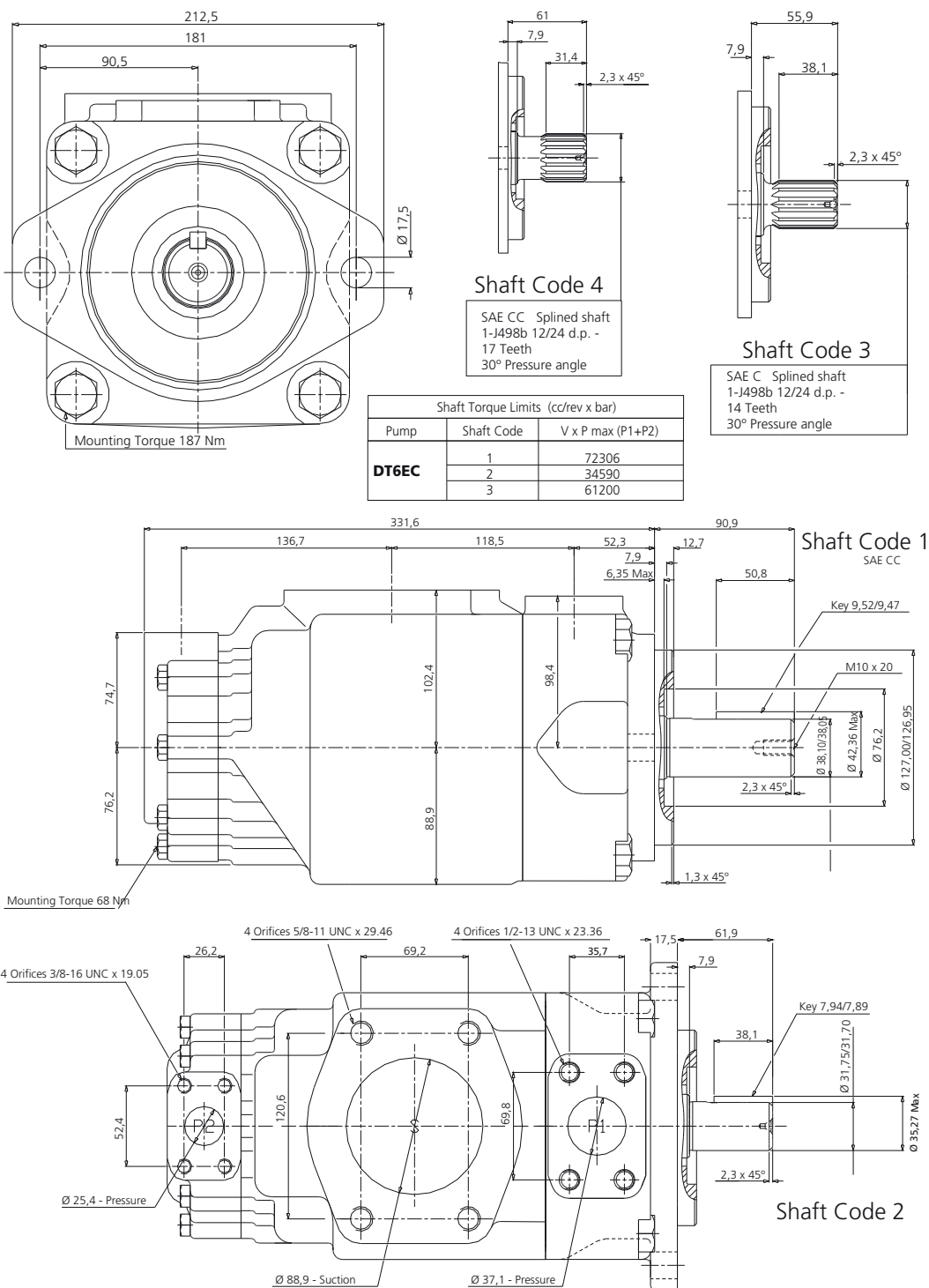
SHAFT END

See **DT6E** Single Pumps for flow and input power diagrams (page 46)

COVER END

See **DT6C** Single Pumps for flow and input power diagrams (page 42)

DOUBLE PUMPS DT6EC - DIMENSIONS



DT6ED - OPERATING CHARACTERISTICS

DATA SHEET

SHAFT END SECTION

FLOW										SPEED (rpm)		PRESSURE (bar)		WEIGHT (Kgs.)
Lts/min.at 1000 rpm	132	142	156	165	197	213	227	270	Mín.	Máx.	Intermit.	Contin.		
Gal/min.at 1200 rpm	42	45	50	52	62	66	72	85	400	2200*	240	210	44	

* See page 41 for further information about speed & pressure.

COVER END SECTION

FLOW											SPEED (rpm)		PRESSURE (bar)		WEIGHT (Kgs.)	
Lts/min.at 1000 rpm	48	66	80	90	98	111	120	136	146	158	191	Mín.	Máx.	Intermit.		Contin.
Gal/min.at 1200 rpm	14	20	24	28	31	35	38	42	45	50	61	400	2500*	240	210	24

* See page 41 for further information about speed & pressure.

DT6ED - FLOW & INPUT POWER DIAGRAMS

SHAFT END

See **DT6E** Single Pumps for flow and input power diagrams (page 46)

COVER END

See **DT6D** Single Pumps for flow and input power diagrams (page 44)

DOUBLE PUMPS DT6ED - DIMENSIONS

