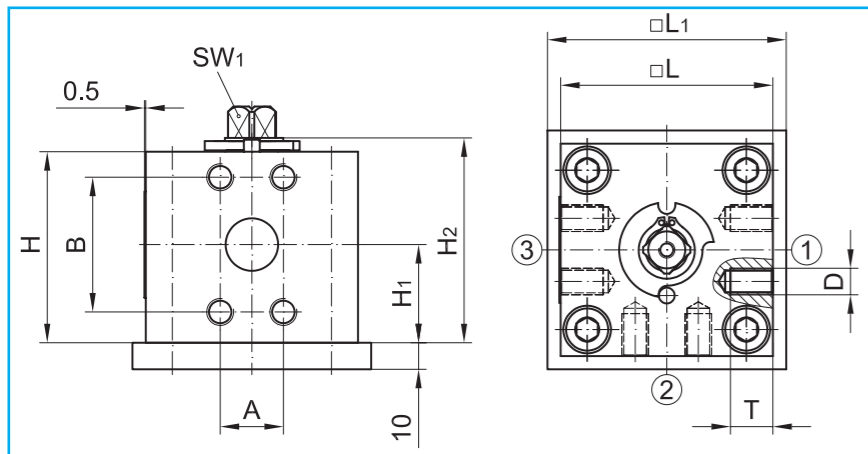


# Multi-way ball valves with floating ball

3-way · steel · ISO 6162 (SAE) · DN 19 - DN 32



Handle on request, refer to "Attachments, accessories".

✦ Application of pressure only as indicated in chapter "Technical information"

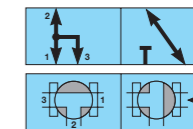
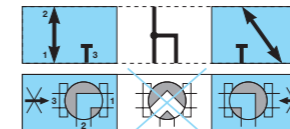
Actuators and custom orders on request

All dimensions subject to change without notice

Dimensions in mm

Weight in kg

Pressure in bar



	L	L	T	T
Bore:	L	L	T	T
Cycling:	90°	90°	90°	90°
Body:	steel, zinc plated	steel, zinc plated	steel, zinc plated	steel, zinc plated
Ball:	steel, hard chrome plated	steel, hard chrome plated	steel, hard chrome plated	steel, hard chrome plated
Stem:	steel, zinc plated	steel, zinc plated	steel, zinc plated	steel, zinc plated
Ball seals:	POM	POM	POM	POM
Stem seals:	NBR	FKM	NBR	FKM

Connection	DN	Flange-size (inch)	D	T	A	B	L	L1	H	H1	H2	SW1	Weight	DN	PN		PN		PN		PN	
															Article-No.	Article-No.	Article-No.	Article-No.	Article-No.	Article-No.		
ISO 6162-2	19	3/4	M10	21	23,8	50,8	80	90	72	37	77,5	14	4,0	19	400	204 301	400	204 306	400	204 311	400	204 316
	25	1	M12	23	27,8	57,2	90	100	80	40	85,5	14	5,5	25	400	204 302	400	204 307	400	204 312	400	204 317
	32	1 1/4	M12	24	31,8	66,6	100	110	100	50	106,0	17	8,0	32	400	204 304	400	204 309	400	204 314	400	204 319
	19	3/4	3/8 - 16 UNC	24	23,8	50,8	80	90	72	37	77,5	14	4,0	19	400	204 321	400	204 326	400	204 331	400	204 336
	25	1	7/16 - 14 UNC	27	27,8	57,2	90	100	80	40	85,5	14	5,5	25	400	204 322	400	204 327	400	204 332	400	204 337
	32	1 1/4	1/2 - 13 UNC	28	31,8	66,7	100	110	100	50	106,0	17	8,0	32	400	204 323	400	204 328	400	204 333	400	204 338

