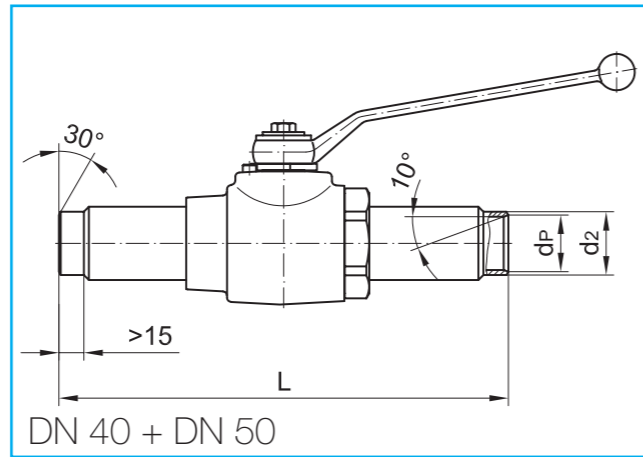
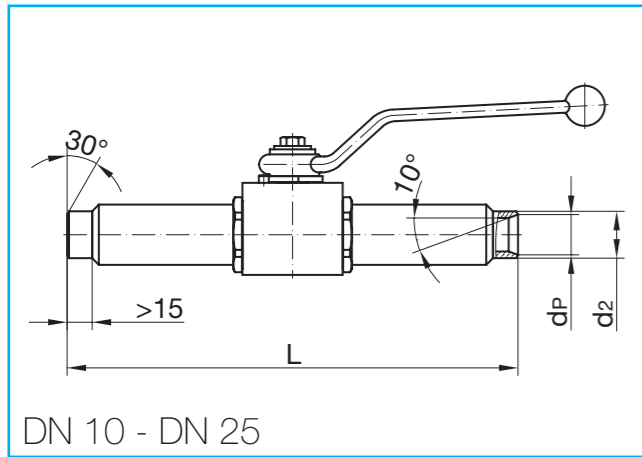


2-way ball valves with welding end

Steel · DN 10 - DN 50



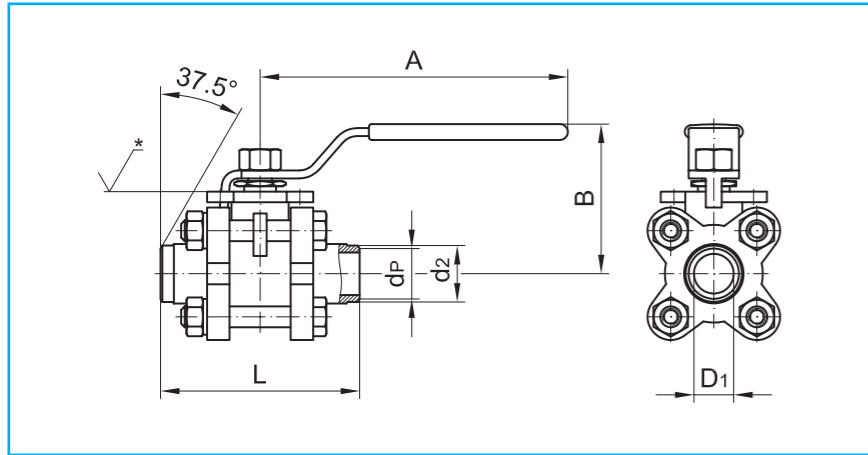
Welding ends : DIN EN 12627 (DIN 3239-1)
 Overall length : DIN EN 12982 basic range 68 (DIN 3202-2-S10)
 For dimensions of the ball valves refer to respective chapter "2-way ball valves".
 Custom orders on request
 All dimensions subject to change without notice
 Dimensions in mm
 Weight in kg
 Pressure in bar

Body:	steel, black oxide	steel, black oxide	steel, black oxide
Ball:	steel, hard chrome plated	steel, hard chrome plated	steel, hard chrome plated
Stem:	steel, zinc plated	steel, zinc plated	steel, zinc plated
Ball seals:	POM	POM	PTFE-Comp.3
Stem seals:	NBR	FKM	FKM

Connection	DN	d2	dP	L	Weight	DN	Article-No.	Article-No.	Article-No.
PN 40	10	18	13,0	270	1,00	10	109 300	109 306	109 312
	15	22	17,0	270	2,05	15	109 301	109 307	109 313
	20	28	22,0	270	2,75	20	109 302	109 308	109 314
	25	34	28,5	270	3,85	25	109 303	109 309	109 315
	40	49	43,0	270	6,50	40	109 304	109 310	109 316
	50	61	54,0	300	9,55	50	109 305	109 311	109 317
PN 63 PN 100	10	18	13,0	270	1,00	10	109 300	109 306	109 312
	15	22	17,0	270	2,05	15	109 301	109 307	109 313
	25	34	28,5	270	3,85	25	109 303	109 309	109 315
	40	49	43,0	270	6,50	40	109 304	109 310	109 316
	50	61	54,0	300	9,55	50	109 305	109 311	109 317
PN 160	10	18	13,0	270	1,00	10	109 300	109 306	109 312
	15	22	17,0	270	2,05	15	109 301	109 307	109 313
	25	34	27,0	270	3,85	25	109 318	109 321	109 324
	40	49	41,0	270	6,50	40	109 319	109 322	-
	50	61	52,5	300	9,55	50	109 320	109 323	-
PN 250	10	18	12,0	270	1,00	10	109 325	109 330	109 335
	15	22	16,0	270	2,05	15	109 326	109 331	109 336
	25	35	26,5	270	3,85	25	109 327	109 332	109 337
	40	49	38,5	270	6,50	40	109 328	109 333	-
	50	61	45,0	300	9,55	50	109 329	109 334	-
PN 320	10	18	12,0	270	1,00	10	109 325	109 330	109 335
	15	22	15,0	270	2,05	15	109 338	109 342	109 346
	25	35	24,0	270	3,85	25	109 339	109 343	-
	40	49	36,0	270	6,50	40	109 340	109 344	-
	50	77	59,5	300	9,55	50	109 341	109 345	-
PN 400	10	18	10,0	270	1,00	10	109 347	109 352	-
	15	28	17,0	270	2,05	15	109 348	109 353	-
	25	44	29,0	270	3,85	25	109 349	109 354	-
	40	61	40,0	270	6,50	40	109 350	109 355	-
	50	77	49,5	300	9,55	50	109 351	109 356	-

2-way ball valves with welding end

Stainless steel · with removable centre · DN 10 - DN 50



Handle included in delivery
 Welding ends: DIN EN 12627 (DIN 3239-1)
 Overall length: DIN EN 12982 basic range 67 (DIN 3202-2-S13)
 All dimensions subject to change without notice
 Dimensions in mm
 Weight in kg
 Pressure in bar

Body:	stainless steel
Ball:	stainless steel
Stem:	stainless steel
Ball seals:	PTFE
Stem seals:	PTFE

Connection	DN	D1	d2	dp	L	A	B	*Porting pattern DIN EN ISO 5211	Weight	DN	Article-No.
PN 40	50	49,0	60,3	56,5	150	191	104	F05	3,60	50	109 363
PN 63	10	12,7	17,2	15,0	70	105	51	F04	0,45	10	109 357
	15	15,0	21,3	19,0	75	105	61	F04	0,60	15	109 358
	20	20,0	26,9	23,0	90	125	66	F04	0,65	20	109 359
	25	25,0	33,7	30,0	100	152	78	F04	1,20	25	109 360
	32	32,0	42,4	39,0	110	152	82	F04	1,75	32	109 361
	40	38,0	48,3	45,0	125	191	95	F05	2,45	40	109 362

