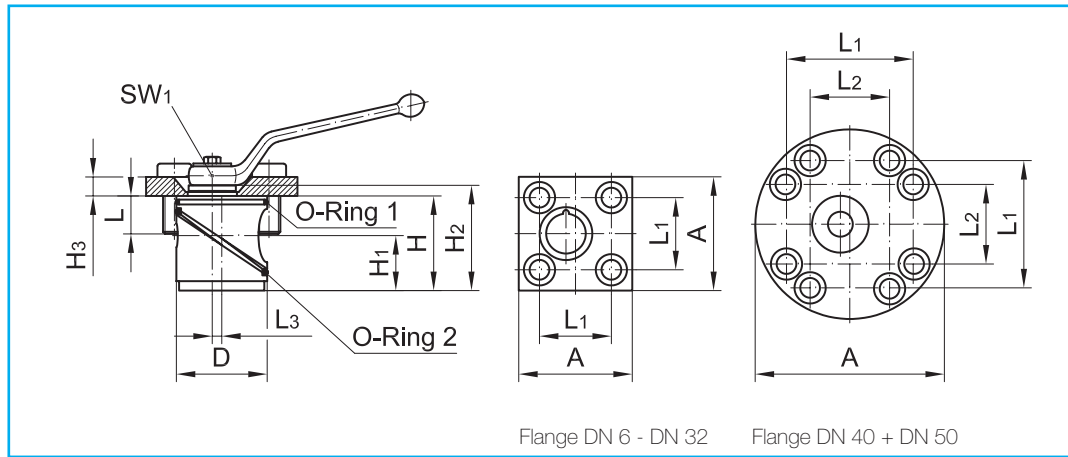


# 2-way ball valves for manifold insertion as cartridge type

Steel · DN 6 - DN 50



Handle and attachment screws included in delivery

For handle refer to "Attachments, accessories"

Actuators and custom orders on request

All dimensions subject to change without notice

Dimensions in mm

Weight in kg

Pressure in bar

Body:	steel, black oxide	steel, black oxide
Ball:	steel, hard chrome plated	steel, hard chrome plated
Stem:	steel, zinc plated	steel, zinc plated
Body seals:	NBR	FKM
Ball seals:	POM	POM
Stem seals:	NBR	FKM

Connection	DN	D	H	H <sub>1</sub>	H <sub>2</sub>	H <sub>3</sub>	L	L <sub>1</sub>	L <sub>2</sub>	L <sub>3</sub>	SW <sub>1</sub>	A	Handle Code	DN	O-Ring 1	O-Ring 2	Weight	Cylinder-head screws DIN EN ISO 4762 (DIN 912)	PN		Article-No.	
																			PN	Article-No.	PN	Article-No.
Cavity	6	36	34,6	21,0	40,5	8	20	38	-	5,0	7	60	12	6	31,00 x 1,50	32,00 x 3,00	0,55	M10 x 25-8.8	500	107 001	500	107 021
	10	45	45,4	27,0	50,0	10	20	50	-	5,0	8	80	13	10	40,00 x 2,00	42,00 x 3,00	1,10	M12 x 25-8.8	500	107 002	500	107 022
	12	48	49,9	29,0	56,5	10	20	50	-	5,0	10	80	14	12	43,00 x 2,00	46,00 x 3,00	1,25	M12 x 25-8.8	400	107 003	400	107 023
	16	54	53,9	31,0	59,5	10	20	60	-	5,5	10	90	14	16	49,00 x 2,00	50,39 x 3,53	1,55	M12 x 25-8.8	315	107 009	315	107 029
	20	63	64,9	36,0	74,5	18	25	70	-	7,0	14	100	15	20	55,20 x 3,00	61,00 x 3,50	2,95	M16 x 35-8.8	315	107 004	315	107 024
	25	70	70,9	39,0	81,0	18	25	70	-	7,0	14	100	15	25	63,00 x 3,00	67,00 x 4,00	3,35	M16 x 35-8.8	315	107 005	315	107 025
	32	92	90,0	47,5	122,5	35	30	100	-	10,0	17	140	21	32	82,14 x 3,53	92,00 x 5,00	9,10	M20 x 50-8.8	315	107 006	315	107 026
	40	107	106,0	56,0	140,5	35	30	134	84	10,0	17	200	21	40	98,02 x 3,53	108,00 x 6,00	14,65	M20 x 50-8.8	315	107 007	315	107 027
	50	126	120,0	63,0	155,0	35	30	152	96	11,5	17	230	22	50	117,07 x 3,53	124,00 x 6,00	20,60	M20 x 50-8.8	315	107 008	315	107 028

General tolerances DIN ISO 2768 Surfaces DIN EN ISO 4287	DN	D H9	D <sub>1</sub> max.	D <sub>2</sub>	L <sub>1</sub> ±0,2	L <sub>2</sub> ±0,2	T +0,1	T <sub>1</sub> +0,2	T <sub>2</sub> +0,1	T <sub>3</sub> min.	Mounting-tool	
											DN	Article-No.
	6	36	31	M10	38	-	34,7	33	13,6	22	6	107 051
	10	45	39	M12	50	-	45,5	41	18,4	22	10	107 052
	12	48	42	M12	50	-	50,0	45	20,9	22	12	107 053
	16	54	47	M12	60	-	54,0	49	22,9	22	16	107 054
	20	63	55	M16	70	-	65,0	61	28,9	28	20	107 055
	25	70	62	M16	70	-	71,0	66	31,9	28	25	107 056
	32	92	80	M20	100	-	90,0	86	42,5	33	32	107 057
	40	107	95	M20	134	84	106,0	101	50,0	33	40	107 058
	50	126	115	M20	152	96	120,0	115	57,0	33	50	107 059

## Drilling pattern

