

MVJ3-10

Size 10 (D 05) • Q_{max} 100 l/min (26 GPM) • p_{max} 350 bar (5100 PSI)

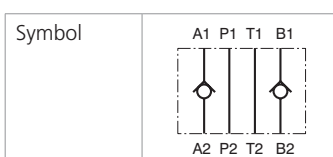


Technical Features

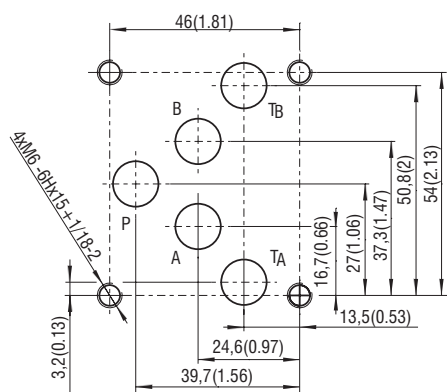
- › Poppet-type check valve with subplate mounting interface acc. to ISO 4401, DIN 24340 (CETOP 05)
- › Sandwich plate design for use in vertical stacking assemblies
- › Leak-free closing in one or two channels, suitable for fast cycling with long life
- › Sharp-edged steel seats for dirt-tolerant performance
- › High flow capacity
- › Optional bias spring ranges for back-pressure control
- › In the standard version, the valve housing is phosphated and steel parts are zinc-coated for 240 h protection acc. to ISO 9227

Functional Description

These check valves in sandwich plate design allow flow in one and prevent flow in the other direction. The sandwich design enables vertical stacking with other components of the same size. The check valves can be built into one or two channels, the other passages are unobstructed. The cracking pressure depends on the selected bias spring.



ISO 4401-05-04-0-05



Ports P, A, B, T
max \varnothing 11.2 mm (0.44 in)

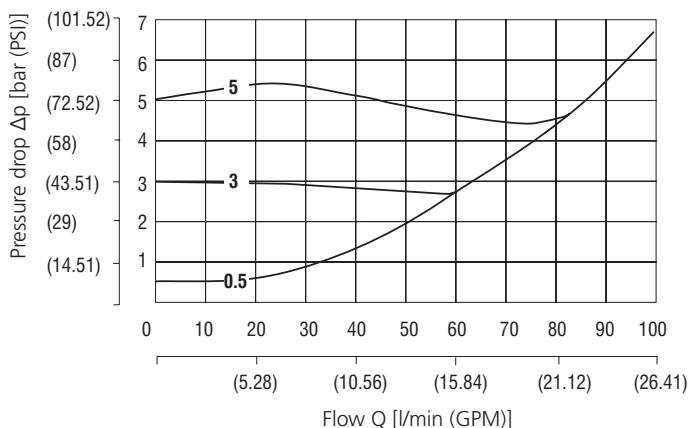
Technical Data

Valve size	10 (D05)			
Max. flow	l/min (GPM)	100 (26.4)		
Max. operating pressure	bar (PSI)	350 (5080)		
Cracking pressure	bar (PSI)	0.5 (7.3)	3 (43.5)	5 (72.5)
Fluid temperature range (NBR)	°C (°F)	-30 ... +100 (-22 ... +212)		
Fluid temperature range (FPM)	°C (°F)	-20 ... +120 (-4 ... +248)		
Mass	kg (lbs)	2.25 (4.96)		

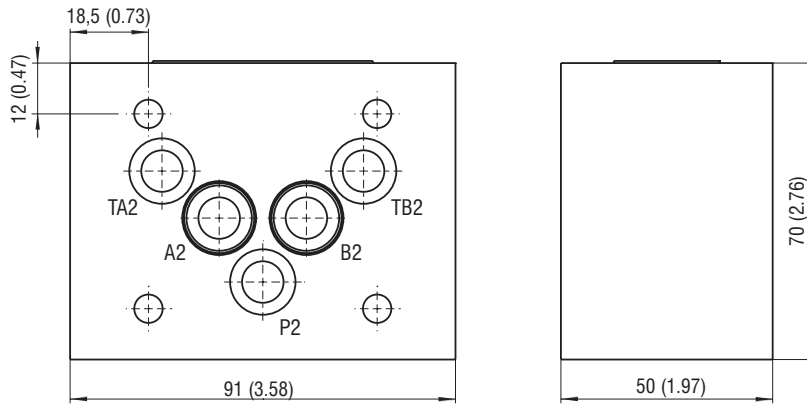
	Datasheet	Type
General information	GI_0060	Products and operating conditions
Mounting interface / Tolerances	SMT_0019	Size 10
Spare parts	SP_8010	

Characteristics measured at $v = 32 \text{ mm}^2/\text{s}$ (156 SUS)

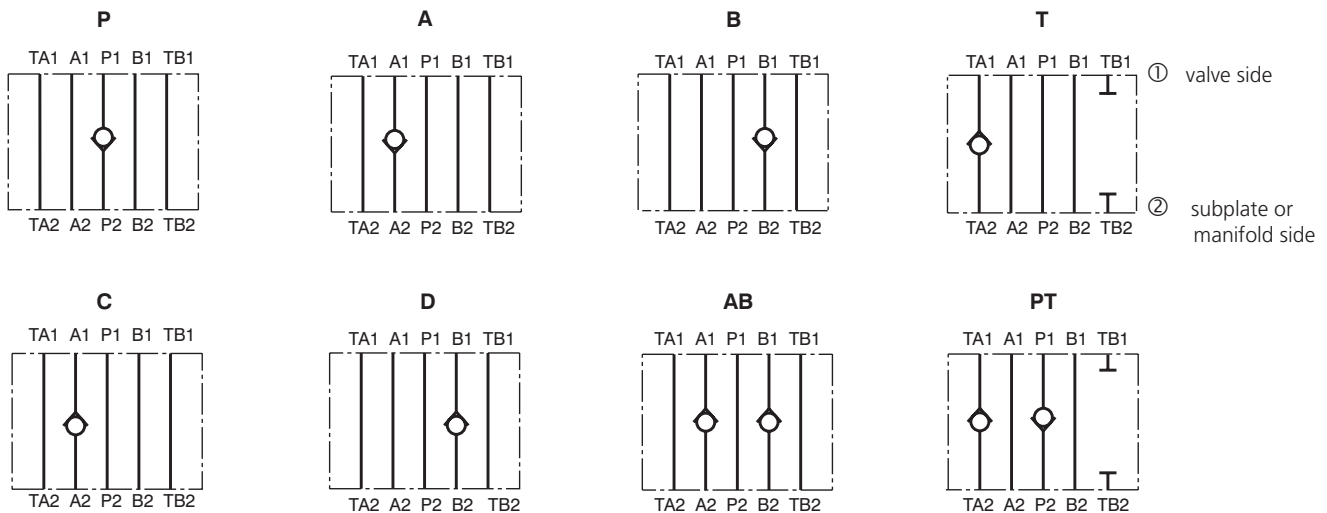
Pressure drop related to flow rate



Dimensions in millimeters (inches)



Functional Symbols



Note: The orientation of the symbol on the name plate corresponds with the valve function.

Ordering Code

